

To receive a calibration and/or repair quote-RMA from R.A.E. Services Inc.  
Click here>> [www.raeservices.com/services/quote.htm](http://www.raeservices.com/services/quote.htm)



## Acterna T-BERD® T-Carrier Analyzers

Total testing capability for the entire span

Today's demanding network-testing environment calls for test instrumentation that is powerful, rugged, compact and easy to use. Ideal for testing from the central office, in the field, or at customers' premises, Acterna T-BERD Analyzers for T1 (Model 107A) and T3 (Model 307) testing meet these requirements and more. Each instrument provides all the testing capabilities necessary for troubleshooting the entire network in a compact and highly portable battery-powered unit.

The T-BERD T1 Analyzer is a physical layer services tester that provides the ability to troubleshoot equipment and test the full T1 span. Used during PDH circuit installation, acceptance testing, and fault isolation, the T1 Analyzer can transmit and receive test patterns during out-of-service circuit testing. The T1 Analyzer also monitors a T1 circuit without interrupting revenue-generating service.

The T-BERD T3 Analyzer is specifically designed and powerfully engineered to comprehensively test DS3 circuits and the host of new DS3-based communications technologies including wireless communications, video conferencing, distributed data processing, and workstation based graphics. DS1/DS0 signals can also be tested while verifying DS3 circuits. The T-BERD T3 Analyzer fully tests DS3 and DS1 circuits simply and easily with automatic configuration and setup to save time and money.

### Product summary

Both Acterna T-BERD instruments can transmit and receive preprogrammed, long user-patterns including 55 OCTET and T1 DALY, allowing circuits to be tested to the maximum. With its powerful emulation of both the customer premises service unit (CSU) and network interface unit (NIU) from the span, companies can isolate the toughest problems and simplify troubleshooting. When troubleshooting DS0 problems users can also listen to individual VF channels and monitor data and ABCD signaling bits on all 24 channels. The channel monitor feature also makes it possible to measure VF level, frequency, and quality.

### Highlights

- Test complex digital transmission networks rapidly and economically
- Identify network synchronization problems quickly
- Combine convenience and power with these rugged yet lightweight test instruments
- Reduce setup time with automatic configuration

NIST, ISO, IEC, ANSI, NCSL, MIL-STD by [www.raeservices.com](http://www.raeservices.com)

## This instrument is ideal for full installation and maintenance testing along T-Carrier spans

### T-BERD T1 Analyzer (107A)

The T-BERD T1 Analyzer's comprehensive capabilities help save considerable time at every stage of the installation and test process. Error and signal analysis can be performed at any point along a T1 span. This instrument is ideal for full installation and maintenance testing along T-Carrier spans.

Downtime is also minimized. The Smart Loopback/Command Codes option enables the technician to isolate problems anywhere along the network with minimal circuit downtime. It can use intelligent repeater technology in the field to qualify and maintain circuits or non-intrusively query performance data. Span problems can be diagnosed remotely before dispatching maintenance personnel.

Further time is saved with automated test patterns that eliminate the need for individual tests. T1 spans can be qualified at the touch of a button with the automated BRIDGTAP and MULTIPAT® tests developed by Acterna.

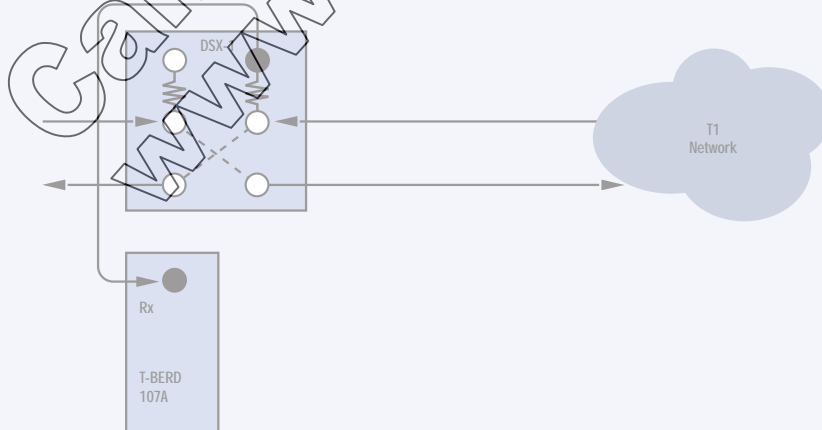


figure 1

### Applications

The T-BERD T1 Analyzer is ideal for T1 turn-up and maintenance. It makes it possible to troubleshoot and isolate physical layer problems, measure VF level, frequency, and quality with the channel monitor feature. Network synchronization problems are also isolated easily.

### Monitor live T1 networks

The instrument determines framing, coding, and pattern automatically. It can also detect errors for instant display on the front panel. Signal quality and data bits can be monitored on any DS0 channel. Decode the SLC data link or ESF signal and monitor signaling bits to troubleshoot problems in the field (see figure 1).

### Qualify T-Carrier circuits

Utilize preprogrammed loop codes for intelligent repeaters to sectionalize span problems before dispatching maintenance personnel. Loop NIUs and CSUs from the central office with one test instrument. Perform automated pattern tests to test the span and identify problems rapidly (see figure 2 below).

### Isolate network synchronization problems

Timing problems are identified easily. Compare a T1 circuit with a network reference clock to isolate timing slips (see figure 3 below).

### Verify Fractional T1 Service

Use the Fractional T1 option to perform bit error rate tests on selected channels to verify transmission quality on contiguous and noncontiguous T1 bandwidths. Insert VF tones on single DS0 channels.

### Decode ESF Signal

Verify remote in-service circuit performance from the decoded ESF broadcast and access performance statistics by monitoring NIUs with the Enhanced ESF option.

### Decode SLC® Datalinks

Decode alarms and datalink messages when installing and troubleshooting SLC systems with the SLC Decode option.

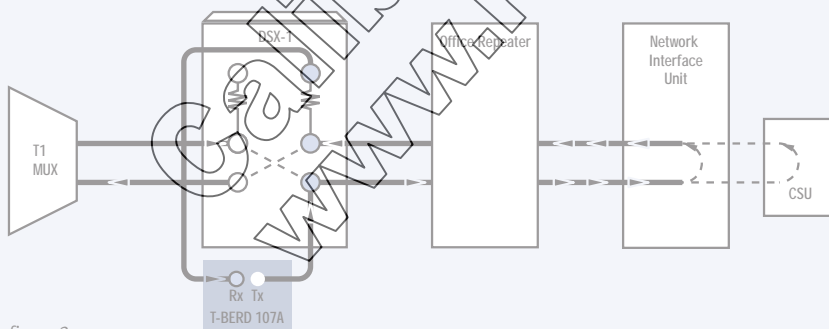


figure 2

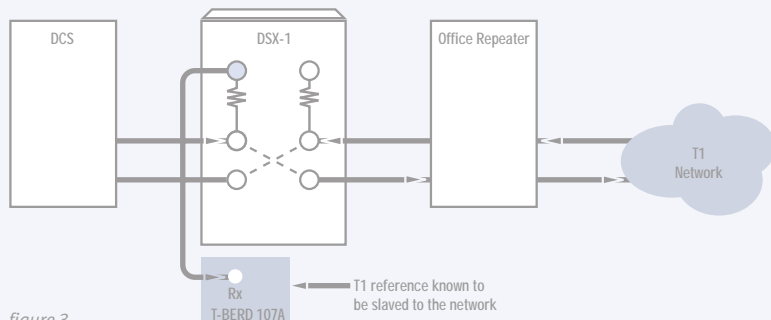


figure 3

### T-BERD T3 Analyzer (307)

The Acterna T-BERD T3 Analyzer delivers powerful features that speed testing from a versatile, lightweight battery-powered instrument that is ideal for field service technicians. Unmatched flexibility means tests can be carried out from a variety of access points. Users can verify tributaries at DS3 access points or use the instrument as a DS1 test instrument.

Timing errors are identified rapidly and the DS1 timing reference can be accessed from either DS3 or DS1 access points.

### Applications

#### Multiplexed DS3 patterns

The instrument can simulate 3:1 multiplexers or cross-connects for DS3 and DS1 circuit qualification. Test tones, patterns, loop codes or errors on one or all DS1 channels. For additional testing flexibility DS1 channels can be dropped from the received DS3 signal for analysis (see figure 4 below).

### Isolate network synchronization problems

Timing problems are identified rapidly, particularly timing impairments, a common source of errors in asynchronous and synchronous networks. Compare a T1 circuit against a network reference clock to isolate timing slips (see figure 5 below).

### Test far-end equipment with ease

Automatically loop up the far-end equipment and verify if data is being received properly on specified DS1 channels by transmitting C-bit FEAC or DS1 loop codes. Results and alarms are immediately visible on the front panel.

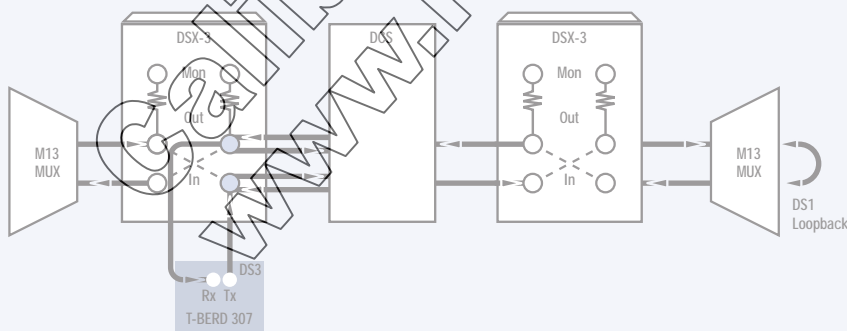


figure 4

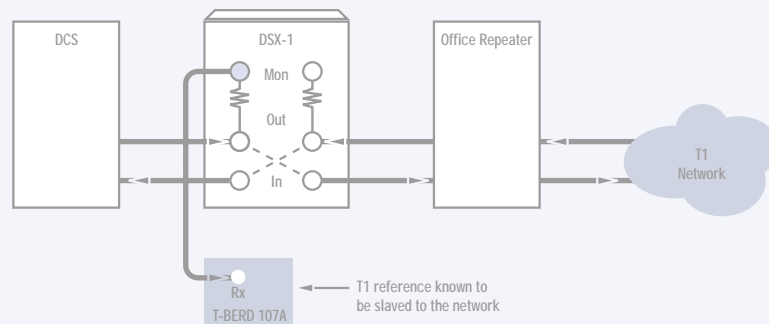


figure 5

To receive a calibration and/or repair quote-RMA from R.A.E. Services Inc.  
 Click here>> [www.raeservices.com/services/quote.htm](http://www.raeservices.com/services/quote.htm)

**Technical specifications**

**T-BERD T1 Analyzer (107a)**

**Operating modes**

Self Test, Automatic Configuration, T1, T1 D4, T1 ESF, T1 SLC, SLC-M1\*, SLC-M2\*, T1 D1D, FT1 D4 Framed\*, FT1 ESF Framed\*, T1 Test Loopback, T1 Line Loopback, SMARTNIU\*, T1 MBLT

**Patterns**

All Ones, 1:1, 1:7, 2 IN 8, 3 IN 24, T1-QRSS, BRIDGTAP, MULTIPAT, User 1, User 2, User 3, All Zeros, 404 Hz\*, 1004 Hz\*, 2804 Hz\*, 2713 Hz\*, T1 DALY\*, T1-2/96\*, T1-3/54\*, T1-4/120\*, T1-5/53\*, 55 OCTET\*, MIN/MAX\*

**Input and output connectors**

Bantam and RS-232 (printer operation)

**Input impedance**

BRIDGE > 1000 W or greater with ALBO  
 TERM 100 Ω ±5% with ALBO  
 DSX-MON 100 Ω ±5% with JGC

**Receive level**

BRIDGE or TERM -6 to -35 dBdsx  
 DSX-MON +6 to -24 dBdsx (of resistive loss)

**Output level**

Isolated T1 pulse is 3.0 Volts Peak ±0.6 V at 0 dBdsx (conforms with ANSI T1-102-1993 and ITU-T G.703-1998)

**LBO level**

Line Build Out (LBO) of 7.5, 15.0 and 22.5 dB measured in a 5 kHz ±1 kHz band centered at 772 kHz

LBO tolerance ±2 dB at 7.5, 15.0, and 22.5 dB

**VF level**

Range +3.0 to -40 dBm  
 Resolution 0.1 dB  
 Accuracy ±0.5 dBm

**VF frequency**

Range 60 to 3904 Hz (+3.0 to -26.0 dBm)  
 60 to 3400 Hz (-26.0 to -40.0 dBm)  
 Resolution 1 Hz  
 Accuracy ±1 Hz

**Transmit timing sources**

Internal Clock, Recovered Clock, External Clock

**Loopback codes**

CSU, CSU Line (ESF), CSU Payload (ESF), NIU (FAC1, FAC2, FAC3), NIU Network (ESF), programmable (3 to 8 bit), intelligent repeaters

**Line codes**

AMI, B8ZS

**Electrical/Mechanical specifications**

Size (H x W x D) 8.5 x 4.25 x 3.25 in  
 (21.6 x 10.8 x 8.3 cm)

Weight 4.5 lb (2.1 kg)

Operating temperature 32°F to 122°F  
 (0°C to 50°C)

Storage Temperature -40°F to 167°F  
 (-40°C to 75°C)

Power AC Adapter: 120 VAC to 12 VDC

Charging time 8 hours (nominal)

Battery 12 VDC, lead-acid electrolyte

Operation 4 hours (nominal)

**T-BERD T3 Analyzer (307)**

**Operating modes**

Unframed, M13, Muxed M13, C-Bit, Muxed C-Bit, DS1 Insert, Self Test, Automatic Configuration

**Patterns**

2^23-1, 2^20-1, 2^15-1, All Ones, Idle, AIS1010, User 1

**Input and output connectors**

WE28, 560A jack

**Receive frequency**

44,736,000 Hz ±300ppm

**Input impedance**

75 ohms ±5%, unbalanced to ground

**Transmitter frequency**

44.736 Mb/s ±5ppm

**Transmit timing sources**

Internal Clock, Recovered Clock

**Line codes**

B3ZS

**Electrical/Mechanical specifications**

Size (H x W x D) 8.5 x 4.24 x 3.25 in  
 (21.6 x 10.8 x 8.3 cm)

Weight 4.2 lb (1.9 kg)

Operating Temperature 32°F to 122°F  
 (0°C to 50°C)

Storage Temperature -40°F to 167°F  
 (-40°C to 75°C)

Calibration & Repair  
[www.raeservices.com](http://www.raeservices.com)

To receive a calibration and/or repair quote-RMA from R.A.E. Services Inc.  
 Click here>> [www.raeservices.com/services/quote.htm](http://www.raeservices.com/services/quote.htm)

**Ordering information**

**T-BERD T1 Analyzer (107A)**

Model no.	Description
107A	T-BERD T-Carrier Analyzer
107A-P1	T-BERD T-Carrier Analyzer with 107A-1, 107A-2, 107A-3, 107A-4, 107A-5

Includes  
 Soft carrying case  
 AC adapter/charger  
 Printer cable

Model no.	Description
107A-1	SLC Decode
107A-2	Advanced Stress Patterns
107A-3	Enhanced ESF
107A-4	Smart Loopback/Command Codes
107A	Fractional T1

**T-BERD T3 Analyzer (307)**

Model no.	Description
307	T-BERD DS3 Communications Analyzer

Options

Model no.	Description
307-1	DS1 Analysis

**Warranty and repair service**

Acterna offers a three-year warranty on all main-frames and options and includes repair and has calibration facilities worldwide. We also provide extended warranty options. As part of our ISO9001-approved quality system, our components are screened before installation and all instruments are operated at elevated temperatures and vibration levels before being shipped.

**Technical support**

To complement our instruments and systems, Acterna provides superior technical support. Our TAC engineers offer expert consultation on any technical problem from 8 am to 8 pm Monday through Friday, EST (1-866-ACTERNA).

**Training**

The right technical training makes everyone more productive and every test instrument more effective. Whether your goal is to shorten installation time, reduce downtime or increase productivity, Acterna's instructors provide practical, hands-on training tailored to your specific needs. We can provide training at our facility (in Maryland, USA) or at any location you designate.

Acterna is the world's largest provider of test and management solutions for optical transport, access and cable networks, and the second largest communications test company overall. Focused entirely on providing equipment, software, systems and services, Acterna helps customers develop, install, manufacture and maintain optical transport, access, cable, data/IP and wireless networks.

Calibration & Repair  
www.raeservices.com

**Worldwide Headquarters**

20400 Observation Drive  
 Germantown, Maryland  
 20876-4023  
 USA

Acterna is present in more than 80 countries. To find your local sales office go to: [www.acterna.com](http://www.acterna.com)

**Regional Sales Headquarters**

**North America**  
 20400 Observation Drive  
 Germantown, Maryland  
 20876-4023  
 USA

Toll Free: +1 866 228 3762  
 Tel: +1 301 353 1550  
 Fax: +1 301 444 8468

**Latin America**  
 Av. Eng. Luis Carlos Berrini  
 936/8° e 9° andares  
 04571-000 São Paulo  
 SP-Brazil  
 Tel: +55 11 5503 3800  
 Fax: +55 11 5505 1598

**Asia Pacific**  
 42 Clarendon Street  
 PO Box 141  
 South Melbourne  
 Victoria 3205  
 Australia  
 Tel: +61 3 9690 6700  
 Fax: +61 3 9690 6750

**Western Europe**  
 Arbachtalstrasse 6  
 72800 Eningen u.A.  
 Germany  
 Tel: +49 7121 86 2222  
 Fax: +49 7121 86 1222

**Eastern Europe, Middle East & Africa**  
 Elisabethstrasse 36  
 2500 Baden  
 Austria  
 Tel: +43 2252 85 521 0  
 Fax: +43 2252 80 727

1st Neopalmovskiy Per.  
 15/7 (4th floor)  
 RF 119121 Moscow  
 Russia  
 Tel: +7 095 248 2508  
 Fax: +7 095 248 4189

© Copyright 2002  
 Acterna, LLC.  
 All rights reserved.

Acterna, The Keepers of Communications, and its logo are trademarks of Acterna, LLC. All other trademarks and registered trademarks are the property of their respective owners. Major Acterna operations sites are ISO 9001 registered.

Note: Specifications, terms and conditions are subject to change without notice.

NIST, ISO, IEC, ANSI, NCSL, MIL-STD by [www.raeservices.com](http://www.raeservices.com)

